

FIGHT THE GRIND™

**LubriMatic®**

LUBRICATION PRODUCTS & SOLUTIONS



**LUBRIMATIC.COM**

**90128**  
SUPERCEDES CATALOGS  
90127 & 90600

**MOVE  
PRODUCTS  
FOR ANY  
ENVIRONMENT**

**CONTENTS**

**GREASE GUNS**

4-14

**GREASE GUN ACCESSORIES**

15-21

**GREASE FITTINGS**

22-25

**PUMPS/SIPHONS**

26-31

**OILERS / ADHESIVE GUNS**

32-33

**FILTER WRENCHES**

34-37

**FUNNELS**

38-41

**MEASURES / FILLERS**

42-45

**LIFT DRAINS & ACCESSORIES**

46-47

**GREASE / OIL**

48-57

**PARTS INDEX**

58-59



# LEVER GREASE GUNS

30-200  
30-449



## STANDARD LEVER GREASE GUNS

Ideal for household and do-it-yourself automotive use. 2-way loading: 14 oz. cartridge or suction load. Includes 5-3/8" angled pipe and coupler. Develops up to 6,000 PSI. Delivers 1 oz./40 strokes.

**30-200** Boxed. 5/master

**30-449** Polybagged. 10/master

30-203



An improvement of the 30-200, this gun has a textured barrel and rubber handle grip for added ease of use. 2-way loading: 14 oz. cartridge or suction load. Includes 5-3/8" angled pipe and coupler. Added bleeder valve and locking plunger provide for easier priming. Develops up to 6,000 PSI. Delivers 1 oz./40 strokes.

**30-203** Boxed. 5/master

30-802



## PROFESSIONAL LEVER GREASE GUNS

A step up from standard lever grease guns. Lightweight aluminum barrel and rubber handle make for easier use. 3-way loading: 14 oz. cartridge, bulk or suction. Includes 5-3/8" angled pipe, coupler and 12" flex hose. Added bleeder valve and locking plunger for easier priming. Develops up to 7,000 PSI. Delivers 1 oz./40 strokes.

**30-802** Boxed. 10/master

## INDUSTRIAL LEVER GREASE GUNS

Made for the punishing day-in and day-out service required by industrial customers. Variable/short stroke for easy use in confined areas. Dual port head cap with bulk loader fitting for 3-way loading: 14 oz. cartridge, bulk or suction. 5-3/8" pipe and coupler. Plated lever with comfortable oversized grip. Develops up to 10,000 PSI. Delivers 1 oz./22 strokes.

**30-465** Zinc plated barrel. Boxed. 5/master

**30-475** Painted barrel. Boxed. 5/master

30-465



30-475



## EXTREME DUTY LEVER GREASE GUNS

Ultimate® Grease Gun equipped with 10" grease pipe, HD coupler, longer lever, barrel and lever-comfort grips, air bleeder valve, bulk loader fitting, variable/ short stroke and 3-way loading: 14 oz. cartridge, bulk or suction. Develops up to 10,000 PSI. Delivers 1 oz./12 strokes. Built to take extreme punishment.

**30-480** Boxed 5/master

30-480



The Dual Piston Grease Gun provides the best of both worlds. High pressure output needed for dirty, blocked fittings easily switches to high volume to get the job done faster. 3-way loading: 14 oz. cartridge, bulk or suction. Includes 5-3/8" angled pipe with HD coupler, and 18" flex hose with HD coupler. Dual purpose bulk loader/bleeder fitting makes priming easier. The lightweight aluminum barrel and rubber handle grip make for more comfortable use. Develops up to 10,000 PSI. Delivers 1 oz./12 strokes.

**30-804** Boxed. 5/master

30-804



# PISTOL GREASE GUNS



30-300

## STANDARD PISTOL GREASE GUNS

Easy one handed operation. 2 way loading: 14 oz. cartridge or suction load. Head cap port for adding air bleeder or bulk loader fitting. Equipped with 5-1/2" grease pipe and coupler. Develops up to 6,000 PSI. Delivers 1 oz./40 strokes.

**30-300** Boxed. 5/master

**30-310** Includes 12" Flex Hose. Boxed. 3/master



30-310

A cut above the 30-300, this gun adds a textured barrel and rubberized grip for ease of use and comfort. 2-way loading: 14 oz. cartridge or suction load. The added bleeder valve and locking plunger provide for easier priming. Equipped with 5-1/2" grease pipe and coupler. Develops up to 6,000 PSI. Delivers 1 oz./40 strokes.

**30-303** Boxed. 5/master



30-303

## PROFESSIONAL PISTOL GREASE GUNS

Features variable stroke for use in tight places. 3-way loading: 14 oz. cartridge, bulk or suction. Includes 18" flex hose with coupler, vinyl handle grip, air bleeder, and bulk loader fitting. Develops up to 7,000 PSI. Delivers 1 oz./40 strokes.

**30-416** Boxed. 5/master



30-416

## CONTINUOUS FLOW AIR OPERATED PISTOL GREASE GUN

Continuously pumps grease while trigger is depressed. 2-way loading: 14 oz. cartridge or suction load. Includes 5-3/8" pipe and coupler. Develops up to 3,600 PSI. Delivers 5 oz. per minute.

**30-114** Boxed. 10/master



## BATTERY OPERATED GREASE GUN

### 12 VOLT BATTERY GREASE GUN KIT

12-Volt NiCad Battery Operated Grease Gun Kit. Includes storage case, 1 hour quick charger, 30" flex hose, heavy duty coupler, and bleeder valve. 2-way loading: 14 oz. cartridge or suction load. Develops up to 7,700 PSI, delivers 2 oz. of grease per minute (4-6 tubes of grease per charge).

**30-601** Storage Case. 1/master

### 12V BATTERY REPLACEMENT

**30-602** 12V Battery replacement for 30-601. Boxed. 2/master

### 12V CHARGER REPLACEMENT

**30-603** Charger replacement (not shown). Boxed. 1/master

### BARREL/PLUNGER REPLACEMENT

**30-613** Replacement Barrel/Plunger (not shown). Boxed. 1/master



# MINI GREASE GUNS

## ECONOMY MINI GREASE GUNS

A compact "tool box" size grease gun perfect for hard to reach jobs. Barrel takes 3 oz. grease cartridge. Includes 4" straight pipe and coupler. Develops up to 3,500 PSI. Delivers 0.5 oz./40 strokes.

**30-132** With LubriMatic® Multi-Purpose Lithium Grease. Display Pack. Clamshell. 10/master

**30-132-07** Gun Only.  
Bulk. 20/box



30-132

## GENERAL PURPOSE MINI GREASE GUNS

Small, versatile grease gun. Allows for front and top pipe placement. Pistol grip for easy one-handed use, and locking plunger for easy priming. Includes 4-1/2" straight pipe and coupler.

**30-100** 2-way loading: 3 oz. cartridge or suction load. Develops up to 3,500 PSI. Delivers 0.5 oz./40 strokes. Clamshell. Display pack. 4/master

**30-193** 2-way loading: 3 oz. cartridge or suction load. Develops up to 4,400 PSI. Delivers 0.5 oz./40 strokes. Bulk. 25/box

**30-192** 2-way loading: 3 oz. cartridge or suction load. Includes LubriMatic® Corrosion Control Trailer Wheel Bearing Grease. Develops up to 4,400 PSI. Delivers 0.5 oz./40 strokes. Clamshell. 10/master

**30-190** 2-way loading: 3 oz. cartridge or suction load. Includes LubriMatic® Multi-Purpose Lithium Grease. Develops up to 4,400 PSI. Delivers 0.5 oz./40 strokes. Clamshell. 10/master



30-100

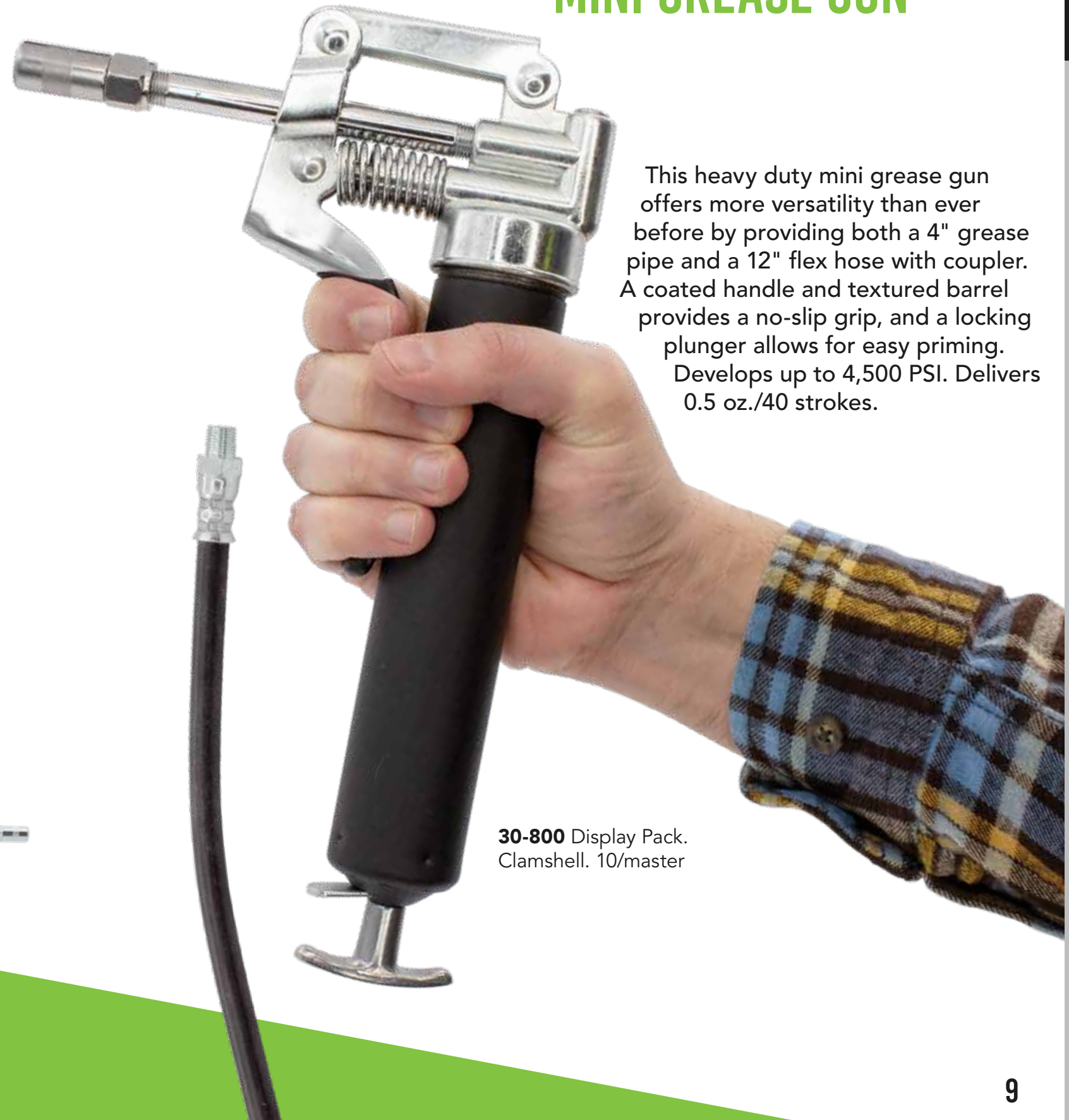
30-193

30-192

30-190

# HEAVY DUTY MINI GREASE GUN

This heavy duty mini grease gun offers more versatility than ever before by providing both a 4" grease pipe and a 12" flex hose with coupler. A coated handle and textured barrel provides a no-slip grip, and a locking plunger allows for easy priming. Develops up to 4,500 PSI. Delivers 0.5 oz./40 strokes.



**30-800** Display Pack.  
Clamshell. 10/master



# SnapLock®

**THREADLESS RELOAD™**

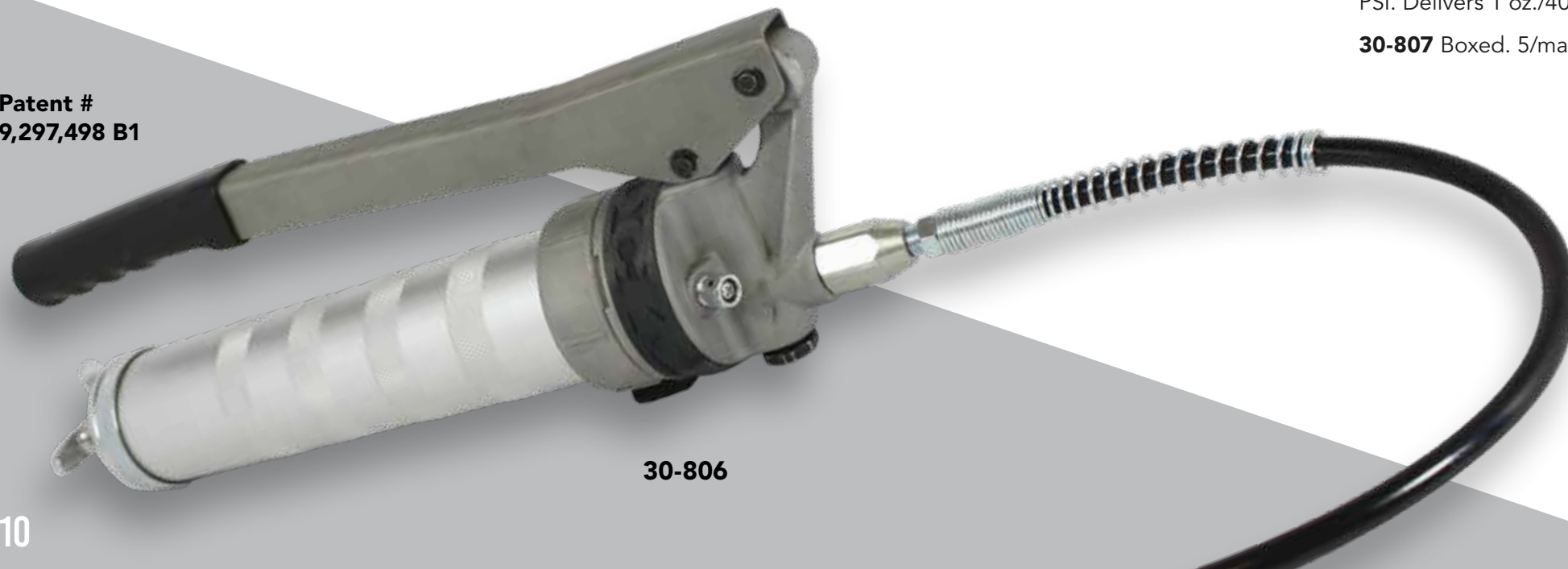
## QUICK RELEASE GREASE GUNS



SEE IT IN ACTION

The SnapLock® grease guns innovate the grease gun world with a patented "threadless" barrel and locking mechanism to secure the barrel in place. The aluminum barrels are lightweight to reduce fatigue during use. 3-way loading: 14 oz. cartridge, bulk or suction. An auto-bleeder valve and locking plunger make priming simple. Variable stroke for use in tight spaces. Best in class in the grease gun market.

Patent #  
9,297,498 B1



30-806

### LEVER GREASE GUN

Includes 5-1/2" angled pipe, 18" flex hose and heavy duty coupler. Develops up to 10,000 PSI with pressure release valve. Delivers 1 oz./27 strokes.

**30-806** Boxed. 5/master

### PISTOL GREASE GUN

Includes 5-1/2" straight pipe, 18" flex hose and heavy duty coupler. Develops up to 8,000 PSI. Delivers 1 oz./40 strokes.

**30-807** Boxed. 5/master



30-807

Cross-contamination is the cause of 60–80% of bearing failures.  
**TO STOP CROSS-CONTAMINATION,  
 THE ANSWER IS  
 CLEAR.**



30-730

# ULTRAVIEW®

CLEAR TUBE, RIGHT LUBE®

## CLEAR GREASE GUNS

### BATTERY OPERATED GREASE GUN

2-way loading: 14 oz. cartridge or suction. Equipped with two 18-Volt NiCad batteries, 1 hour quick charger, 42" flex hose, coupler, carrying strap and storage case. Develops up to 7,500 PSI. Delivers 1 oz./40 strokes.

30-730 Storage Case. 1/master

### LEVER GREASE GUN

3-way loading: 14 oz. cartridge, bulk or suction. Equipped with 5-1/2" pipe, 12" flex hose and coupler. Develops up to 10,000 PSI. Delivers 1 oz./27 strokes.

30-700 (Red), 30-701 (Green) Boxed. 5/master

### PISTOL GREASE GUN

3-way loading: 14 oz. cartridge, bulk or suction. Equipped with 5-1/2" pipe, 12" flex hose and coupler. Develops up to 7,000 PSI. Delivers 1 oz./40 strokes.

30-720 (Red), 30-721 (Green) Boxed. 5/master

### SUCTION GUN

Visually see inside to determine amount of dirt or impurities in system. 16 oz. capacity. 12" clear hose. 9-3/4" stroke.

30-740 (Red), 30-741 (Green) Boxed. 5/master

### ULTRAVIEW® CLEAR TUBES

Fits 2.280-16 UNS non-standard threads.

- Alemite 500, 590, 525
- Lincoln 1132, 1133, 1134 (new models), 1142, 1145, 1147, 1148
- Zee Line 444, 610, 613, 619, 620, HD4, HD4A

Available in four colors for your grease gun.

30-750 (Red), 30-751 (Green), 30-753 (Black), 30-754 (Blue)  
 Boxed. 1/master

### LUBE POINT POSITIVE ID SYSTEM (LPPID)

LPPID is a patent-pending color coordinating system that matches the Zerk fitting to the color of the UltraView® clear grease gun tube. 2 sizes available, 4 colors each (part numbers below). 25 per bag.

Fits 1/4" -28 grease fittings	30-760	30-761	30-763	30-764
Fits 1/8" NPT grease fittings	30-770	30-771	30-773	30-774



30-700



30-720



30-740



30-750 30-751 30-753 30-754

# MISCELLANEOUS GREASE GUNS



## JIFFY LUBER W/PUSH TYPE ADAPTER

Designed for quick grease jobs. Squeeze tubes (not included) fit into the zinc die-cast body for easy dispensing. Includes 2-11/16" pipe.

**30-195** Carded. 10/master



## HANDI-GRIP PISTOL LUBER®

All-purpose gun attaches to squeeze tubes of grease (not included). Includes spring-returned plated steel lever, zinc die-cast body, riveted plated steel link, 5-1/2" flex hose, and standard duty coupler.

**30-197** Carded. 10/master

**30-197-07** Bulk. 25/box



## SUCTION GUN

Designed for draining and filling non-corrosive liquids. Barrel holds approximately one pint with 9" stroke. Features 12" plastic hose and durable corrosion-resistant finish.

**30-118** Boxed. 10/master

# GREASE GUN HOSES & PIPES



## STANDARD DUTY FLEXIBLE GREASE HOSES

For use on hand operated grease guns only. 1/8" NPT male fittings on each end. Recommended working pressure is 4,000 PSI.

**10-200** 12" Length. Carded. 10/master

**10-201** 18" Length. Carded. 10/master



## HEAVY DUTY FLEXIBLE GREASE HOSES

For use on hand operated grease guns only. Steel 1/8" NPT male fittings on each end. Recommended working pressure is 5,000 PSI.

**10-212** 12" Length. Carded. 10/master

**10-214** 12" Length. Bulk. 10/box

**10-218** 18" Length. Bulk. 10/box

**10-219** 18" Length. Carded. 5/master

**30-111-07** 6" Length. Bulk. 200/box



## FLEXIBLE GREASE HOSES FOR AIR OPERATED EQUIPMENT

Heavy duty, nylon braided, high quality thermoplastic grease hose with bend restrictor for air operated systems, 1/8" NPT male fittings on each end. Recommended working pressure is 6,000 PSI.

**10-512** 12" Length. Carded. 5/master

**10-514** 18" Length. Carded. 10/master

**10-536** 36" Length. Carded. 12/master



## 5-3/8" CURVED GREASE PIPE

Standard length pipe with 1/8" pipe thread on each end. 30° angle. Recommend working pressure is 8,000 PSI.

**05-061** Carded. 10/master



# COUPLERS

## QUICK CONNECT LOCKING COUPLER



The quick connect coupler easily attaches and disconnects from fittings with one simple motion. The coupler conveniently swivels 360° for access to any fitting location. Solid steel construction allows the coupler to build up to 8,000 PSI and still disconnect with ease. 1/8" NPT.

**05-026**  
Carded. 5/master



### STANDARD DUTY COUPLER

Standard jaw-type coupler feature spring-loaded ball check valve. Fits 1/8" NPT threads. For hand operated lube equipment only. Recommended working pressure is 4,500 PSI.

- 05-031** Carded. 10/master
- 05-031-2** 2 Pack. Carded 10/master
- 05-031-6** 6 Pack. Carded. 10/master
- 05-028** Bulk. 10/box
- 05-030** Bulk. 100/box



### HEAVY DUTY COUPLER

All steel construction for increased pressures. For hand operated grease guns only. Recommended working pressure is 6,000 PSI. Fits 1/8" NPT threads.

- 05-035** Carded. 10/master
- 05-034** Bulk. 10/box



### EXTREME DUTY COUPLER

Designed for use with air powered equipment as well as hand guns. Heavy duty construction withstands higher pressures. Recommended working pressure is 8,000 PSI. Fits 1/8" NPT threads.

- 05-036** Carded. 10/master
- 05-038** Bulk. 25/box



### 90° GREASE COUPLER ADAPTER

For hard-to-reach grease fittings on cars, trucks and other equipment. Ideal for lubrication of front wheel drive vehicles. Complete with both small and large sleeves to fit all standard couplers. For hand operated grease guns only. Recommended working pressure is 4,500 PSI.

- 05-059** Carded. 10/master



### RIGHT ANGLE COUPLER

Designed for hard-to-reach grease fittings, this 90° coupler with hex head greases fittings in confined spaces. 1/8" NPT female inlet. Recommended working pressure is 1,000 PSI.

- 05-058** Carded. 10/master



### 180° SWIVEL COUPLER

Designed to lock at any angle up to 180°. Spring-loaded sleeve locks coupler in place for straight applications or slides back for angular application. Has an 8" overall length and corrosion-resistant finish. For hand operated grease guns only. 1/8" NPT male inlet. Recommended working pressure is 3,000 PSI.

- 05-050** Carded. 10/master



### 360° SWIVEL COUPLER

Swivels in a full 360° circle and locks in place. 45° angle gives easy access to most grease fittings. Comes with standard grease coupler and 1/8" NPT female inlet for extension pipe. For hand operated grease guns only. Recommended working pressure is 4,500 PSI.

- 05-057** Carded. 5/master



### 360° HEAVY DUTY SWIVEL COUPLER

For use with air operated equipment. Swivels in full 360° circle and locks in place. 45° angle gives easy access to most grease fittings. 1/8" NPT female inlet. Recommend working pressure is 6,500 PSI.

- 05-052** Carded. 5/master



### BUTTON HEAD FITTING COUPLER

Specially designed for button head grease fittings. 1/8" NPT female inlet. Zinc-plated steel.

- 05-048** Carded. 5/master  
For 5/8" button head fittings
- 05-049** Carded. 5/master  
For 7/8" button head fittings

# GREASE GUN ACCESSORY KITS

Commonly needed accessories all in one reusable case. Kit includes 6" flexible whip hose, standard grease coupler, bleeder valve, rubber seal-off dispenser, grease injector needle, needle nose dispenser and grease coupler cap.

## 7 PIECE ACCESSORY KIT

**05-060** Reusable box. Display Pack. 6/master

### INCLUDES

- 6" Flex Hose
- Seal-Off Dispenser
- Grease Gun Coupler
- Air Bleeder Valve
- Needle Nose Dispenser
- Injector Needle
- Grease Gun Coupler Cap



## 27 PIECE ACCESSORY KIT

**05-065** Includes 20 assorted fittings. Reusable Box. Display Pack. 6/master

### INCLUDES

- 6" Flex Hose
- Seal-Off Dispenser
- Grease Gun Coupler
- Air Bleeder Valve
- Needle Nose Dispenser
- Injector Needle
- Grease Gun Coupler Cap
- 20 Assorted Grease Fittings (1/4" x 28, 1/8 NPT and 6 mm)

# GREASE GUN ACCESSORIES

## GREASE GUN HOLDER

Designed for wall mounting with 2 screws (not included). Center latch locks. Corrosion-resistant finish.

**70-901** Carded. 5/master

**70-902** Bulk. 25/box



## GREASE GUN BRACKET

High tension spring and durable steel plate hold grease guns securely in place. Corrosion resistant finish.

**70-904** Bulk. 2/box

# GREASE GUN ACCESSORIES



## GREASE INJECTOR NEEDLE

Lubricates in very tight places such as universal joints and sealed bearings. Tempered steel 18 gauge x 1-1/2" long needle. Equipped with standard grease fitting and protective plastic cover. For hand operated grease guns only.

**05-037** Carded. 10/master



## SEAL-OFF DISPENSER

Use for lubricating cars with grease plugs. Oil and grease resistant rubber tip. 1/8" NPT female inlet. For hand operated grease guns only.

**05-041** Carded. 10/master



## NEEDLE TIP ADAPTER

For chain saws, universal joints, bicycles, etc. For hand operated grease guns only.

**05-042** Carded. 10/master



## PUSH TYPE ADAPTER

For hard to reach fittings on cars, trucks, and other equipment. Equipped with a slide on locking sleeve, it quickly connects to any standard coupler. Simple push engagement with fittings makes for quick use.

**05-021** Carded. 10/master



## 1/2" NEEDLE NOSE DISPENSER

Dispenses a fine line of grease. .55" needle length. .046" tip diameter and .20" body diameter. For hand operated grease guns only. 1/8" NPT female.

**05-045** Carded. 10/master



## BEARING PACKERS

For use with either hand operated or power lube equipment. Threaded center post for positive locking of wheel bearing.

**70-025** Steel. 1/2" to 5" OD, 2" height bearings. Carded. 5/master

**70-026** Plastic. 1/2" to 4-1/4" OD, 2" height bearings. Carded. 3/master

# GREASE GUN ACCESSORIES



## 1.5" NEEDLE NOSE DISPENSER

Hardened steel tip and 1-1/2" length dispenses a fine line of grease. Ideal for hard-to-reach jobs. .046" tip diameter and .16" body diameter. For hand operated grease guns only. 1/8" NPT female.

**05-019** Carded. 10/master



## 4" NEEDLE NOSE ADAPTER

Perfect for use on trucks, vans and RVs. For converting jaw-type lube couplers to steel needle points. Dispenses fine line of grease. Includes both small and large sleeves to fit all standard couplers. Overall length 7-1/8", tip diameter .046", body diameter .250" For hand operated grease guns only.

**05-025** Carded. 10/master



## AIR BLEEDER VALVE

Quickly vents air pockets in grease guns. Zinc-plated, easy to use. 1/8" NPT male fitting.

**05-039** Carded. 10/master



## GREASE GUN LOADER FITTINGS

Use in grease gun heads for bulk loading. Zinc-plated. 1/8" NPT male fitting.

**05-047** Carded. 10/master

# GREASE FITTING TOOLS



## LARGE 4-WAY GREASE FITTING TOOL

Designed for 1/8" NPT fittings. Tap repairs 1/8" NPT threads. Wrench removes 7/16" and 3/8" hex fittings and plugs. Wrench installs new fittings. 1/8" NPT "easy-out" removes broken fittings.

**11-904** Carded. 5/master

**11-902** Bulk. 25/box



## SMALL 4-WAY GREASE FITTING TOOL

Designed for 1/4"-28 and 6mm fittings. Tap repairs 1/4"-28 threads. Wrench removes 5/16" and 3/8" hex fittings and plugs. Wrench installs new fittings. 1/4"-28 "easy-out" removes broken fittings.

**11-903** Carded. 10/master



## STRAIGHT DRIVE GREASE FITTING TOOL

For straight drive-in fittings; 4-1/2" long, 11/16" diameter.

**11-912** Carded. 5/master



## IMPACT FITTING CLEANER

Simple to use cleaner for dirty, blocked grease fittings. Includes 6" flexible hose for hard to reach fittings.

**11-917** Storage Case. 3/master

# GREASE FITTINGS



## STANDARD GREASE FITTING ASSORTMENT – 8 PIECE

1/4"-28 standard fittings on blister card. Includes 4 straight, 2 at 45° angle and 2 at 90° angle.

**11-955** Carded. 10/master



## METRIC GREASE FITTING ASSORTMENT – 8 PIECE

6mm x 1 metric fittings on blister card. Includes 4 straight, 2 at 45° angle and 2 at 90° angle

**11-957** Carded. 10/master



## STANDARD GREASE FITTING ASSORTMENT – 25 PIECE

1/4"-28 grease fittings packed in a transparent box. Includes 10 short, straight, 6 short at 45° angle, 4 long at 45° angle, and 5 short at 90° angle.

**11-962** Boxed. 10/master



## METRIC GREASE FITTING ASSORTMENT – 25 PIECE

6mm x 1 metric grease fittings packed in a transparent box. Includes 10 short, straight, 8 short at 45° angle, and 7 short at 90° angle.

**11-963** Boxed. 10/master

# GREASE FITTINGS



## STANDARD GREASE FITTING ASSORTMENT – 50 PIECE

1/4"-28 grease fittings packed in transparent box. Includes 25 short straight, 5 long straight, 10 at 45° angle and 10 at 90° angle.

**11-951** Boxed. 10/master



## PIPE THREAD GREASE FITTING ASSORTMENT – 50 PIECE

1/8" NPT grease fittings, packed in transparent box. Includes 30 straight, 10 at 45° angle and 10 at 90° angle.

**11-954** Boxed. 10/master



## DELUXE GREASE FITTING ASSORTMENT – 100 PIECE

1/8" NPT and 1/4"-28 grease fittings packed in transparent box. 1/8" NPT fittings include 30 straight, 2 at 30° angle, 5 at 45° angle, 5 at 65° angle and 3 at 90° angle. 1/4"-28 fittings include 40 straight, 10 at 45° angle and 5 at 90° angle.

**11-953** Boxed. 1/master

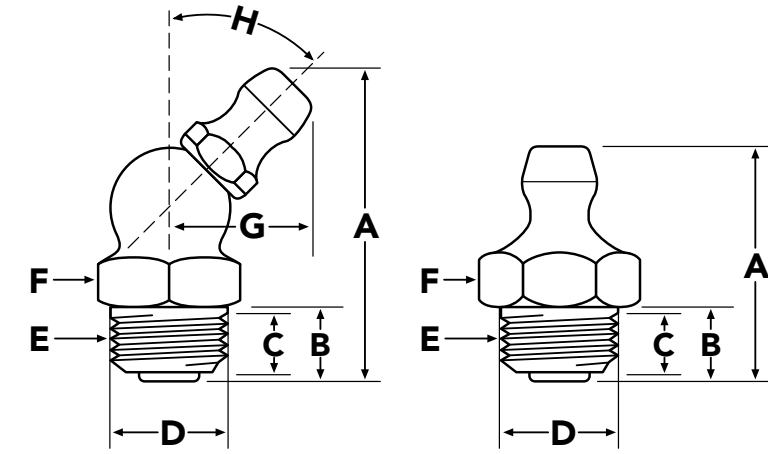


## 100 PIECE METRIC GREASE FITTING KIT

6mm, 8mm, and 10mm grease fittings packed in transparent box. 6mm fittings include 40 straight, 6 at 45° angle, and 6 at 90° angle. 8mm fittings include 12 straight, 6 at 45° angle, and 6 at 90° angle. 10mm fittings include 12 straight, 6 at 45° angle, and 6 at 90° angle.

**11-956** Boxed. 10/master

# SIZES & SPECIFICATIONS



5 PACK	10 PACK	BOX 50	BOX 100	BOX 1000	DESCRIPTION	A	B	C	D	E	F	G	H
<b>SAE FITTINGS</b>													
-	11-151	-	11-150	-	1/8" NPT STRAIGHT, SHORT	21/32	9/32	3/16	13/32	1/8 NPT	7/16	-	-
11-159	-	-	11-218	-	1/8" NPT 45° ANGLE	55/64	19/64	7/32	13/32	1/8 NPT	7/16	29/64	45°
11-167	-	11-166	-	-	1/8" NPT 90° ANGLE	27/32	19/64	7/32	13/32	1/8 NPT	7/16	1/2	90°
11-201	-	-	11-226	-	1/4" NPT STRAIGHT	7/8	27/64	5/16	17/32	1/4 NPT	9/16	-	-
-	11-101	-	11-100	11-103	1/4"-28 STRAIGHT, SHORT	35/64	3/16	7/64	1/4	1/4-28 SAE-LT	5/16	-	-
-	11-105	-	11-104	-	1/4"-28 45° ANGLE	13/16	13/64	9/64	1/4	1/4-28 SAE-LT	3/8	13/32	45°
-	11-113	11-112	-	-	1/4"-28 90° ANGLE	3/4	13/64	5/32	1/4	1/4-28 SAE-LT	3/8	1/2	90°
<b>METRIC FITTINGS</b>													
11-301	-	-	-	-	6 MM – 1.0 METRIC STRAIGHT	39/64	15/64	5/32	15/64	6 MM-1P	7 MM	-	-
11-305	-	-	-	-	6 MM – 1.0 METRIC 90° ANGLE	47/64	13/64	5/32	15/64	6 MM-1P	9 MM	1/2	90°
11-311	-	-	-	-	8 MM – 1.0 METRIC STRAIGHT	21/32	15/64	5/32	5/16	8 MM-1P	9 MM	-	-
11-313	-	-	-	-	8 MM – 1.0 METRIC 45° ANGLE	59/64	13/64	5/32	5/16	8 MM-1P	9 MM	13/32	45°
11-315F	-	-	-	-	8 MM – 1.0 METRIC 90° ANGLE	23/32	13/64	5/32	5/16	8 MM-1P	9 MM	1/2	90°
11-321	-	-	-	-	10 MM – 1.0 METRIC STRAIGHT	21/32	15/64	5/32	25/64	10 MM-1P	11 MM	-	-
<b>THREAD FORMING FITTINGS</b>													
-	-	-	-	11-432	1/4"-28 SPECIAL TAPER DRIVE	17/32	13/64	1/8	1/4	1/4-28	5/16	-	-
<b>DRIVE FITTINGS</b>													
-	11-447	-	-	11-448	1/4" STRAIGHT DRIVE	35/64	1/4	-	1/4	-	11/32	-	-
-	11-438	-	-	-	3/16" STRAIGHT DRIVE	17/32	1/4	-	3/16	-	5/16	-	-
-	11-453	-	-	-	5/16" STRAIGHT DRIVE	35/64	1/4	-	5/16	-	3/8	-	-

# PUMPS & SIPHONS

## BOTTLE PUMPS & ADAPTER FITTING

55-001



4cc pump for adding oil and other fluids to small engines and marine lower units. Flexible hose for hard-to-reach fill plugs. Intended for quart sized bottles.

**55-001** Clamshell. 12/master

**55-005** 3/8"-16 swivel metal marine filler fitting. Clamshell. 6/master

**55-007** 3/8"-16 plastic marine filler fitting. Clamshell. 12/master

**55-012** (not shown) Fitting only. Tohatsu, Nissan and Honda (2-50 hp) lower units. 8 mm x 1.25" thread. Carded. 5/master

55-005



55-007



### SIPHON HOSE

Multi-purpose all rubber siphon hose. 6' length. Rubber bulb makes it easy to start flow of liquid. Ideal for home, garden, boat, shop or garage. Transfers, drains or pumps all types of liquid including gasoline.

**75-847** Bagged. 10/master



75-847

# FLUID LUBRICANT PUMPS



55-440

55-441

### LEVER ACTION DISPENSER

For transfer of transmission, differential and heavier fluids. Self priming. Delivers 3 oz. per stroke. Complete with 4 ft. oil-resistant hose and drum pail cover. Fits open head pails/drums.

**55-440** For 5 gallon/35 lb. pail. Boxed. 1/master

**55-441** For 16 gallon/120 lb. pail. Boxed. 1/master



### MARINE LOWER UNIT PAIL PUMP

For bulk filling of marine lower units and stern drives. Delivers 3 oz. per stroke. Complete with threaded fitting for domestic standard lower units. Fill adapter for other engines available (see 55-012, page 26). Fits 5 gallon/35 lb. pail.

**55-011** Boxed. 1/master



### BEARING PACKER GREASE PUMP

Hand operated, portable bearing packer. Ideal for packing several bearings in a short amount of time. For all car, boat, trailer and RV bearings having a minimum ID of 1/2" to a maximum OD of 5". Height of 1/4" to 2". Rugged steel construction. Fits 35-50 lb./5 gallon plastic pails. Includes follower plate.

**55-107** Boxed. 1/master



### GREASE GUN FILLER PUMP

Includes filler adapter for LubriMatic® bulk loader fittings. Equipped with follower plate, pail cover and filler adapter cap to prevent grease contamination. Fits 35-50 lb./5 gallon pails.

**55-117** Boxed. 1/master

## TRANSFER PUMPS



### MULTI-PURPOSE TRANSFER PUMP

The multi-use fluid transfer pump is a versatile pump for liquid transfer and air inflation. Ideal for siphoning gas or changing oil. May also double as an inflator for sports balls, air mattresses, and small tires. Pump includes two 50" liquid transfer hoses, 16" air hose, and the necessary nozzles and accessories.

**75-846** Clamshell. 6/master



### HAND TRANSFER PUMP

Ideal for transfer from one container to another, also for draining oils and other fluids. Hand operated, self-priming. Great for farm, home, automotive and factory use. Heavy duty steel construction. 8 ft. tubes (.50" ID x .63" OD) for suction and discharge of fluids up to 90 wt. Double check valve. Approximately 1 gallon per 8 strokes.

**30-108** Boxed. 6/master

## ROTARY BARREL PUMPS



### STANDARD ROTARY BARREL PUMP

For transferring non-corrosive petroleum-based fluids of light to medium viscosity. For industrial, commercial, automotive and agricultural applications. Single direction 2-vane pump with rugged cast iron housing and 42" steel suction pipe. Spout OD 1-1/16".

**55-303** Boxed. 1/master

## PULL-UP BARREL PUMPS

### STEEL BARREL PUMP

**55-017** Fits 30-55 gallon drums. Boxed. 1/master



### NYLON BARREL PUMP

**55-019** Fits 30-55 gallon drums. Boxed. 10/master



### 5-GALLON PAIL PUMP

**55-141** Boxed. 3/master



## LEVER OPERATED BARREL PUMPS

**55-123**



**55-124**  
**55-125**



### HEAVY DUTY BARREL PUMP

2-piece telescoping suction tube fits 30–55 gallon drums. Dispenses approximately 10 oz. per stroke. Standard bung adapter, all steel foot valve and piston valve. Spout OD 3/4". Standard garden hose thread discharge spout.

**55-123** Boxed. 1/master

### PROFESSIONAL BARREL PUMP

Lever style barrel pump with non-drip sprout. Equipped with brass rings and floating piston design. Self-adjusting telescopic suction tube. Designed to pump all lubrication-based fluids, antifreeze, agricultural and industrial non-corrosive fluids. Dispenses approximately 12 oz. per stroke. Fits 30–55 gallon drum.

**55-124** With standard lever handle. Boxed. 1/master

**55-125** With multi-directional handle. Boxed. 1/master

## PLASTIC BARREL PUMPS



### ROTARY BARREL PUMP

Fits 5–55 gallon drums. Heavy duty chemical resistant construction and seals enable this pump to be used with DEF, fuel, water base and acidic solutions. Delivers 6 gallons per 100 revolutions. Spout OD 1-1/16".

**55-155** Boxed. 4/master

### LEVER BARREL PUMP

Fits 5–55 gallon drums. Heavy duty chemical resistant construction and seal enable these pumps to be used with DEF, fuel, water base and acidic solutions. Self-adjusting telescopic suction tube. Delivers 9 oz. per stroke. Spout OD 7/8".

**55-156** Boxed. 4/master



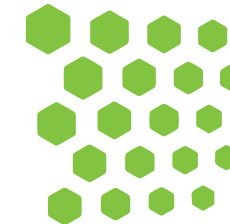
# PUMP APPLICATION CHART

ITEM NO.	TYPE	MATERIAL TO BE PUMPED	MATERIAL NOT TO BE PUMPED
30-108	HAND HELD TRANSFER PUMP STYLE STEEL CONSTRUCTION & VINYL HOSE	OIL-BASED FLUIDS	WATER-BASED FLUIDS, SOLVENTS, WEAK ACIDS, ANTIFREEZE, GASOLINE*/ DIESEL FUEL
55-001 55-005 55-007 55-012	BOTTLE, PUSH PUMP STYLE	OIL-BASED FLUIDS	GASOLINE, DIESEL, ACIDS OR BASES
55-017	ROD STYLE STEEL PISTON / VALVES NO RUBBER PACKING OR SLEEVES	OIL-BASED FLUIDS	WATER-BASED FLUIDS, WEAK ACIDS, ANTIFREEZE, GASOLINE*/ DIESEL FUEL
55-019	ROD STYLE STAINLESS STEEL PISTON	ACETATES, AMMONIA, BENZENE, KETONES, LACQUERS, LACQUER SOLVENTS, DEF, METHANOL, TOLUENE AND THINNERS, GASOLINE. DIESEL, AND SOME ACIDS	BLEACH, CITRIC ACID, CHLORINE, SODIUM CHLORIDE, HYDROCHLORIC ACID. SEE CHEMICAL COMPATIBILITY CHART
55-123 55-124 55-125	LEVER STYLE STEEL PISTON/BRASS RINGS	OIL-BASED FLUIDS ANTIFREEZE WINDSHIELD WASHER FLUID	WATER-BASED FLUIDS, SOLVENTS, WEAK ACIDS, GASOLINE*/ DIESEL FUEL
55-155	ROTARY BARREL STYLE CHEMICALLY RESISTANT MATERIALS	ACIDS, ALKALINES, GASOLINE, D.E.F., DIESEL, MACHINE OIL, WATER, ALCOHOL, THINNERS AND PETROLEUM-BASED PRODUCTS	
55-156	LEVER BARREL STYLE CHEMICALLY RESISTANT MATERIALS	WATER, ALCOHOL, GASOLINE, D.E.F, DIESEL, KEROSENE & PETROLEUM-BASED PRODUCTS, WATER, WATER-BASED CHEMICALS, ALCOHOL, KEROSENE, GASOLINE, DIESEL, PETROLEUM-BASED PRODUCTS, MILD ACID AND MILD ALKALI SOLUTIONS	
55-200	DIAPHRAGM STYLE PUSH/PULL LEVER	OIL-BASED FLUIDS, LIKE HEATING OIL AND OTHER PETROLEUM PRODUCTS GASOLINE*/DIESEL FUEL	WATER-BASED FLUIDS, SOLVENTS, WEAK ACIDS
55-303	ROTARY STYLE, CAST IRON	OIL-BASED FLUIDS	WATER-BASED FLUIDS, SOLVENTS, WEAK ACIDS, ANTIFREEZE, GASOLINE, OR DIESEL
75-846	ROD STYLE	WATER-BASED FLUIDS, OIL-BASED FLUIDS, AND GASOLINE	

# HELPFUL HINTS



**WATER-BASED** materials attack **unplated steel** (rust).



**SOLVENTS** attack **lubricated parts** (break down lubricants), and also attack **rubber parts** (dissolve rubber).



**ACIDS** attack **nickel plating** and **unplated steel** (corrosion).



**POLYPROPYLENE AND NYLON** are **resistant** to some chemicals (see chart).



# OILERS / ADHESIVE GUNS

## PISTOL OILERS

Drawn steel bodies. Rugged epoxy finish resists rust.

- 6 oz. size available with or without base holder.
- Rigid spouts have .15" diameter ledge-cone machined tips to lift oil filler dust caps.



**50-509CC** Case-cut box. 6 oz. capacity with 6" rigid spout. Labeled. 10/master

**50-515** 6 oz. capacity with base holder and 6" rigid spout. Labeled. 10/master

**50-516** 6 oz. capacity with base holder and 6" flex spout. Labeled. 10/master



**50-573** 1 pint capacity with 6" flex spout. Boxed. 1/master

**50-583** 1 quart capacity with 6" rigid spout. Boxed. 1/master

**50-595** 8 oz. capacity with 6" flex spout. Boxed. 6/master

## HANDLED OILER



Heavy duty, drawn steel bodies. Durable, epoxy finish bodies resist rust.

- Zinc-plated, detachable flex sprout with 1/2"-20 thread base.
- Detachable tip threaded 10-32 with closure cap.

**50-337** 1 pint capacity with 9" flex spout. Boxed. 5/master

**50-347** 1 quart capacity with 9" flex spout (not shown). Boxed. 24/master

## PLASTIC OILERS



**50-590** 6 oz. capacity with 4-1/2" spout. Labeled. 6/master



**50-592** 6 oz. capacity with 7-1/2" flex spout. Labeled. 6/master

## ADHESIVE GUNS

Feature zinc die-cast caps, 4" zinc-plated spouts and heavy duty triggers. Spout tips have 12-32 threads. Spout bases have 3/8"-24 threads. Brush tip available. Durable epoxy finish bodies. Pump most non-corrosive fluids which will seek their own level. Not recommended for water-based adhesives. Tip I.D.055".



**30-955** 1 pint with 4" spout. Boxed. 1/master

**30-956** Replacement spout for 30-955 (not shown). Bulk. 100/master

**99-619** Brush tip for adhesive guns (not shown). Bagged. 1/master



**30-960** 1 pint with long adapter. Boxed. 1/master



**30-962** 6-3/4" pump and adapter. Boxed. 1/master

# FILTER WRENCHES

## STANDARD FILTER WRENCHES



### ECONOMY STANDARD FILTER WRENCHES

Standard fixed handle with vinyl grip.

**70-535** Small. Fits 2-9/16" to 3-1/8" (65–79 mm). Carded. 6/master

**70-536** Medium. Fits 3-1/2" to 3-7/8" (89–98 mm). Carded. 6/master



### ECONOMY ADJUSTABLE FILTER WRENCH

4-way adjustable band fits a wide range of sizes. Wide band prevents crushed filters.

**70-805** 2-3/4" to 4" (70–102 mm). Carded. 10/master



### PRO-TUFF® STANDARD FILTER WRENCH

**70-605** Medium. Fits 3-1/2" to 3-7/8" (89–98 mm). Carded. 10/master

**70-607** Large. Fits 4-1/8" to 4-1/2" (105–114 mm). Carded. 5/master

**70-609** Truck. Fits 4-3/4" to 5-1/8" (120–130 mm). Carded. 5/master

**70-611** Tractor. Fits 5-3/8" to 5-3/4" (136–146 mm). Carded. 5/master

## SWIVEL FILTER WRENCHES



### ECONOMY SWIVEL FILTER WRENCHES

For hard-to-reach jobs. Feature a swivel handle with vinyl grip to easily clear obstructions.

**70-537** Medium. Fits 3-1/2" to 3-7/8" (89–98 mm). Carded. 6/master

**70-538** Small. Fits 2-9/16" to 3-1/8" (65–79 mm). Carded. 6/master

**70-539** Compact. Fit 2-1/4" to 2-1/2" (57–63 mm). Carded. 6/master



### PRO-TUFF® SWIVEL FILTER WRENCHES

Extra heavy duty construction with studded steel band. Feature a lock nut for setting angles and tightening handle and a tough non-slip grip. These wrenches with their swivel handle design make removing hard-to-reach filters easy. 1" band.

**70-621** Compact. Fits 2-1/4" - 2-9/16" (57–65 mm). Carded. 10/master

**70-623** Small. Fits 2-13/16" to 3-5/32" (71–80 mm). Carded. 10/master

**70-625** Medium. Fits 3-1/2" to 3-7/8" (89–98 mm). Carded. 10/master

**70-627** Large. Fits 4-1/8" to 4-1/2" (105–114 mm). Carded. 5/master

## BAND FILTER WRENCHES



### PRO-TUFF® 3/8" RACHET DRIVE

Low profile design for easy access to hard to reach filters. Heavy duty hardened link and 1" studded steel band. Use with 3/8" drive extension.

**70-635** Fits 2-13/16" to 3-5/32" (71–80 mm). Carded. 10/master



### 2" BAND, PRO-TUFF® HEAVY DUTY TRUCK 1/2" RACHET DRIVE

**70-761** Fits 4-1/8" to 4-21/32" (105–118 mm). For Ford/Internationals 6.9, 7.1 and most Mack engine filters. Carded. 5/master

**70-763** Fits 4-21/32" to 5-1/8" (118–130 mm). Carded. 5/master

**70-765** Fits 5-5/32" to 5-21/32" (131–143 mm). Boxed. 1/master

## CAP FILTER WRENCHES

**70-786** 15 flutes. 3-21/32" (93 mm). Carded. 4/master

**70-787** 15 Flutes. 2-29/32" & 3" (74 & 76 mm). Carded. 4/master

**70-790** 14 flutes. 2-35/64" & 2-11/16" (65 & 68 mm). Carded. 4/master

**70-792** 14 flutes. 2-7/8" (73 mm). Carded. 4/master



## MISCELLANEOUS FILTER WRENCHES



### PLIERS-STYLE FILTER WRENCH

Comfortable vinyl grips and black oxide finish. Special slip-joint handle. 20° jaw angle and slim pliers design gets into areas other wrenches can't.

**70-746** Fits 2-1/2" to 4-5/8" (63–117 mm). Carded. 5/master

Special locking handle and non-slip grip ensure maximum hold.

**70-748** Fits 2-1/8" to 4-5/8" (54–117 mm). Carded. 3/master



### NYLON STRAP FILTER WRENCH

**70-719** Sturdy, non-slip nylon belt with 1/2" square drive. Fits filters up to 6". Carded. 5/master



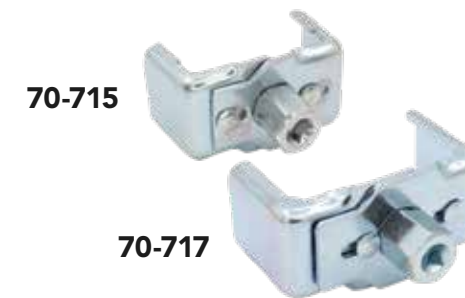
### 2-PIECE STRAP WRENCH SET

**70-720** Multi-purpose strap wrenches with adjustable, durable rubber strap. Fits almost any object.

Regular: 3/8" to 5-1/4" (9.5–133 mm)

Large: 1" to 6-1/2" (25.4–165 mm)

Carded. 3/master



### BI-DIRECTIONAL FILTER WRENCHES

2-way filter wrench removes and installs oil filters. Fits most domestic and imported cars and trucks. Designed to fit where standard wrenches can't. Use with 3/8" square drive or 7/8" open/combo wrench.

**70-715** Small. 2-13/16" to 3-1/16" (71 mm–78 mm) Carded. 5/master

**70-717** Large. 3-3/8" to 3-11/16" (86 mm–93 mm) Carded. 3/master

# FUNNELS

## GALVANIZED STEEL FUNNELS

Heavy duty steel funnels. Capacity indicates what the funnels will hold when the outlet is blocked.



**75-001** 1 quart capacity, 7" total height, 6" diameter, 3/4" OD tip. Labeled. 12/master

**75-002** Offset, 5 quart capacity, 11" total height, 10" diameter, 1-1/4" OD tip with screen. Labeled. 6/master

**75-003** 2 quart capacity, 8" total height, 8" diameter, 3/4" OD tip. Labeled. 6/master



**75-004** Tractor, 8 quart capacity, 12" total height, 9-1/2" diameter, 1" OD tip with screen. Labeled. 6/master



**75-008** Lock-on tractor, 8 quart capacity, 11-1/2" total height, 10" diameter, 1-1/4" OD tip with screen and tabs. Labeled. 6/master



**75-017** 7 pint capacity, 8-3/4" total height, 9-3/4" diameter, 7/8" OD tip. Labeled. 12/master

## GALVANIZED STEEL UTILITY FUNNELS

Lightweight, general purpose steel funnels. Capacity indicates what the funnel will hold when the outlet is blocked.



**75-009** 10 oz. capacity, 5-1/2" total height, 4-1/2" diameter, 1/2" OD tip. Labeled. 12/master

**75-010** 24 oz. capacity, 6-1/2" total height, 5-3/4" diameter, 1/2" OD tip. Labeled. 12/master

**75-011** 32 oz. capacity, 7-1/2" total height, 6-1/2" diameter, 5/8" OD tip. Labeled. 12/master

**75-012** 56 oz. capacity, 9" total height, 8" diameter, 5/8" OD tip. Labeled. 12/master

## FUNNEL FILLERS

### TRANSMISSION FUNNELS

Rugged epoxy finish. Offset design, 2 quart capacity. 7" diameter. Includes fine mesh strainer screen.



**75-005** With 2" length (1" OD) rigid tip. Labeled. 5/master



**75-006** With 17" flexible metal extension and 5/8" OD tapered tip to fit transmission tubes, etc. 28" overall length. Labeled. 5/master



### UTILITY FUNNEL

Ideal for transmission fluid. Galvanized steel. Includes screen and 12" flexible extension with taper tip. Tip 5/8" OD.

**75-007** 1 quart capacity, 5-3/4" diameter, 17-1/2" overall length. Labeled. 10/master



### UTILITY FUNNEL

Complete with a 13" flexible neoprene hose. 1/2" OD tip.

**75-101** 1/2 pint capacity, 4-1/2" diameter, 17" overall length. Labeled. 10/master

# PLASTIC FUNNELS

## ECONOMY PLASTIC FUNNELS

Durable, oil and gasoline resistant plastic. Safe for all petroleum products, complete with handy storage hanging tabs. Capacity indicates what the funnel will hold when the outlet is blocked.



**75-060** 8 oz. capacity, 5" total height, 4-1/2" diameter, 1/2" OD tip. Labeled. 20/master



**75-062** 16 oz capacity, 5-1/2" total height, 6" diameter, 7/8" OD tip. Labeled. 24/master



**75-064** 48 oz. capacity, 7" total height, 8" diameter, 3/4" OD tip. Labeled. 24/master



## LONG NECK PLASTIC FUNNEL

All-purpose utility funnel. Extra long neck to reach out-of-the-way spots.

**75-068** 2 quart capacity, 18" overall length, 5" diameter, 5/8" OD tip. Labeled. 12/master

# PLASTIC FUNNELS

## POLYETHYLENE PLASTIC FUNNELS

Rugged, corrosion-resistant, all-purpose funnels. Complete with fine mesh straining screen and handy hanging tab. Capacity indicates what the funnel will hold when the outlet is blocked.



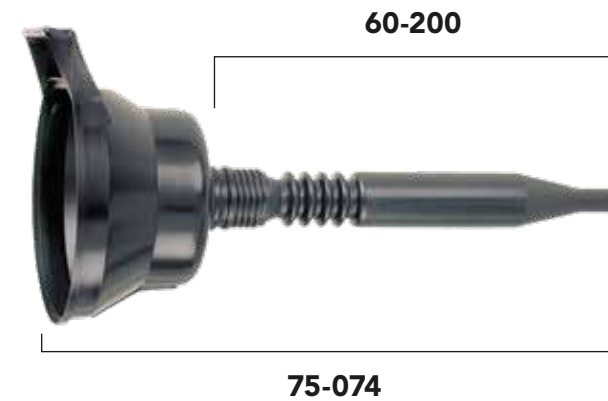
**75-069** 1 pint capacity, 5.1" total height, 5.5" diameter, 1" OD tip. Labeled. 10/master



**75-070** 2 quart capacity, 9" total height, 7" diameter, 1" OD tip. Labeled. 10/master



**75-072** 6 quart capacity, 11" total height, 9" diameter, 1-1/2" OD tip. Labeled. 5/master



## 2-PIECE FUNNEL WITH FLEXIBLE SPOUT

A multi-purpose 2-piece funnel with 12" detachable flexible spout. The funnel includes an easy-grip handle.

**75-074** 15" overall length, 6" diameter with 3/4" OD tip. Labeled. 12/master

**60-200** Spout only. 2 thread sizes to fit most containers. Labeled. Bulk. 10/box



## 3-PIECE FUNNEL SET

**75-075** Includes 1/2 pint, 1 pint, 2 pint plastic funnels. Labeled. 12/master

# MEASURERS / FILLERS

## GALVANIZED MEASURERS

Deluxe measurers with spill-resistant tops. Flexible spouts for ease of pouring. Rolled edge, easy-grip handles. Calibrated fill line. 1/2" OD tip.



**75-441** 1 quart capacity, 6-1/2" overall height. Labeled. 6/master



**75-442** 2 quart capacity, 9-1/2" overall height. Labeled. 6/master



**75-444** 4 quart capacity, 11" overall height. Labeled. 6/master

## PLASTIC MEASURES

Marked in quarts and liters. Easy-grip handle. Rigid spout is angled for ease of pouring.



**75-452** 2 quart capacity, 1" OD spout. Labeled. 10/master



**75-454** 4 quart capacity, 1" OD spout. Labeled. 10/master



**75-456** 6 quart capacity, 1-1/4" OD spout. Labeled. 10/master

## PAINTED MEASURES

With flexible spouts. Designed for one-hand operation. Thumb operated valve controls flow; flip action locks valve open. 14" flexible metal spout with tapered 1/2" OD tip swings into the necessary angle for hard-to-reach jobs. Recessed bottoms drain fully and guard against puncture. Rolled edge top helps prevent oil spillage.



**75-662** 2 quart capacity. 8" overall height. Labeled. Boxed. 1/master



**75-664** 4 quart capacity. 9-1/2" overall height. Labeled. Boxed. 1/master



**75-665** 5 quart capacity. 9-1/2" overall height. Labeled. Boxed. 1/master



**75-668** 8 quart capacity. 11-1/2" overall height. Labeled. Boxed. 1/master

## RADIATOR / BATTERY FILLERS



### RADIATOR FILLER

**75-025** 3 gallon capacity. Impervious to oil, gasoline and antifreeze. Labeled. 4/master



### AUTOMATIC BATTERY FILLER

**75-030** 2 quart capacity. Shuts off automatically when battery cell is at proper level. Labeled. 10/master



### BATTERY FILLER

**75-033** 6 ounce capacity. Ideal for all fluids including battery acid. Bagged. 10/master

**99-038** Spout tip replacement. Bulk. 25/box

# GALVANIZED CONTAINERS



## RADIATOR DRAIN PAN

Heavy duty galvanized steel. Pouring with anti-splash baffle prevents spilling. Rolled smooth edge and ribbed bottom for heavy duty strength. Includes handles.

**75-750** 8 gallon capacity, 19" diameter x 7.25" high. Labeled. 2/master



## UTILITY DRAIN PAN

Seamless, full drawn galvanized steel. Rolled rim and ribbed bottom for extra strength.

**75-751** 3-1/2 gallon capacity, 16" diameter x 4" high. Labeled. 12/master



## DRIP PAN

Rugged galvanized sheet metal construction. Rust-resistant. Protects driveways, garage or automotive show room floors from fluid drippings. Rolled edges for extra strength.

**75-755** 17-1/2" x 25-3/4" x 1" high. Labeled. 10/master



## WATER PAIL

Made of rust-resistant galvanized sheet metal.

**75-825** 12 quart capacity, 11" diameter x 9-1/2" high. Labeled. 6/master

# PLASTIC CONTAINERS



## 20 GALLON TIRE AND TUBE TEST TANK

Rugged high density polyethylene plastic construction. Large enough to handle passenger car and light duty truck tires. Lip doubles as a splash guard and easy carrying handle. Tire punctures are easy to spot against black plastic tank.

**75-754** 31" x 12" x 12" size. Labeled. 1/master



## SMALL PLASTIC DRAIN PAN

With pouring lip. Will not rust, dent or scratch, easy cleaning.

**75-760** 6 quart capacity, 12" diameter x 4" high. Labeled. 10/master



## LARGE PLASTIC DRAIN PAN

Tough polyethylene construction that won't rust, dent or scratch. Pouring spout and handle allow for easy, spill-free pouring. Rolled edge cuts down on splash, makes for ease of carrying while full. Easy to clean.

**75-762** 4 gallon capacity, 18" diameter x 5-1/2" high. Labeled. 4/master



## 15 QUART DRAIN PAN WITH LID

This enclosed drain pan helps make oil changes mess free. The ample 8" opening and screen catch anything aimed in its direction. Seal-able top and wheels make clean up and removal a breeze.

**75-764** 15 quart capacity. 18" x 16" x 6" size. Labeled. 4/master

# LIFT DRAINS & ACCESSORIES



## 16 GALLON LIFT DRAIN

For use with 16 gallon/120 lb. open head drums (drum not included). Includes telescopic funnel and tube (adjusts from 40-1/2" to 60"), float assembly, drum cover assembly and heavy duty caster base.

**75-835** 16 gallon capacity. Boxed. 1/master



## 8 GALLON LIFT DRAIN

Sturdy plastic lift drain equipped with wheels, metal drain tube and drain pan with screen. Tube height adjusts to 48" or 63".

**75-850** 8 gallon capacity. Boxed. 1/master

**75-853** Replacement tube and funnel assembly. Boxed. 1/master

75-853



75-836

## TRANSMISSION PAN ADAPTER

**75-836** For lift drains. Heavy duty, high density polyethylene. Small diameter drain holes in bottom of pan prevent loss of pan bolts. Fits all LubriMatic® and other popular lift drains. Labeled. 6/master

## 5 GALLON LIFT DRAIN

Telescopic tube adjusts to desired height from 40-1/2" to 60" with 13-1/2" diameter funnel. Comes complete with heavy duty 5 gallon steel container, telescopic tube and sturdy funnel.

**75-837** 5 gallon capacity. Boxed. 1/master

### Replacement Parts:

**75-837-02** Replacement tube and funnel assembly. Boxed. 1/master

75-837-02

75-837

## LIFT DRAIN DOLLY

Heavy steel construction with baked enamel finish, ball bearing type swivel casters. All hardware included.

**75-838** Cross frame style lift drain dolly which fits the LubriMatic® 75-837 lift drain. Boxed. 1/master

75-838



## LUBRIMATIC® GREASES & OILS

For more than 40 years, LubriMatic® has been developing and distributing superior lubrication products. LubriMatic® serves the industrial, hardware, marine, automotive and agricultural markets, as well as many industries requiring professional grade lubricants and penetrants.

# GREASE

## MULTI-PURPOSE LITHIUM GREASE (LB)



Long lasting, hard working formula delivers high performance in a wide range of heavy-duty applications. Recommended for chassis, universal joints and other general purpose applications around the home, farm or shop. Works best for lubricating rolling parts. NLGI #2, drop point 350°F.

**11312** 3-pack of 3 oz. cartridges. 12/master

**11315** 14 oz. cartridge. 10/master

**11316** 16 oz. (1 lb.) can. 12/master

**11328** (not shown) 35 lb. drum

## DISC/DRUM BRAKE WHEEL BEARING GREASE (GC-LB)



Meets high temperature requirements of all disc and drum brakes and similar applications. Polyurea base. NLGI #2, drop point 520°F.

**11380** 16 oz. (1 lb.) can. 12/master

**11382** 4 lb. tub w/easy-to-carry handle. 6/master

**11465** 14 oz. cartridge. 10/master

## SYNTHETIC BRAKE CALIPER GREASE (GC-LB)



Our Synthetic Brake Caliper Grease is a 100% synthetic lithium complex lubricant. It delivers excellent performance in both high and low temperature applications. NLGI #2, drop point 500°F.

**11752** 16 oz. (1 lb.) can. 12/master

## LMX® THE "RED" GREASE (GC-LB)



Industrial and agricultural lithium complex formula. Ideal under temperature and pressure extremes, shock loads and high wear situations. Superior adhesion to bearing and moving parts. Highly water insoluble. NLGI #2, drop point 500°F.

**11390** 14 oz. cartridge. 10/master

**11391** (not shown) 35 lb. drum

## WHITE LITHIUM GREASE



Includes zinc additive for a clean, white color. Ideal for general home, shop, automotive, agricultural and industrial applications. Contains no silicons and can be used on plastic components NLGI #2, drop point 350°.

**11350** 16 oz. (1 lb.) can 12/master

**11354** 14 oz. cartridge. 10/master

**11355** (not shown) 35 lb. drum

**11356** (not shown) 120 lb. drum

**11357** 4-pack of 3 oz. cartridges. 12/master

**11363** 12 oz. aerosol. 12/master

# CORROSION CONTROL® MARINE GREASE (GC-LB)

Special calcium sulfonate complex. water insoluble formula ideal for marine applications. Provides excellent corrosion protection under severe conditions caused by salt water and air. Use on wheel bearings (includes disc brake wheel bearings), swivel hinges, pins, winches and anchor chain reels. NGLI #2, drop point 550°F.



**11399** 3 oz. cartridge 2-pack. 10/master

**11400** 3 oz. cartridge 4-pack. 10/master (not shown)

**11402** 14 oz. cartridge. 10/master

**11404** 16 oz. (1 lb.) can. 12/master

**11406** 8 oz. tube. 12/master

**11407** 35 lb. drum (not shown)

**11408** 120 lb. drum (not shown)

**11409** 400 lb. drum. (not shown)

# MOLY EP GREASE (GC-LB)



Addition of molybdenum disulfide to lithium-based grease makes this lubricant especially effective for sliding motions, such as sleeve journal rotating shafts and ball joints. Contains extreme pressure (EP) additives to reduce scuffing, scoring and seizure with high loads. NLGI #2, drop point 500°F. Contains 3% molybdenum.

**11335** 14 oz. cartridge. 10/master

# SPECIALTY GREASES



## DIELECTRIC GREASE

Protects electrical connections from corrosion. Water-resistant, synthetic formulation sheds moisture and doesn't wash away. NLGI #2.

NOTE: Does not conduct electricity

**11755** 2 oz. tube. 12/master



## OPEN GEAR & WIRE ROPE SPRAY LUBE

Reduces wear, withstands extreme pressure.

Will not wash or weather away.

**11473** 11.25 oz. aerosol can. 12/master



## CHAIN & CABLE LUBRICANT

Graphite molybdenum formula reduces wear and increases chain life.

**11474** 12 oz. aerosol can. 12/master



## PLEWS® MULTI-PURPOSE LITHIUM GREASE

Special economy blend for general purpose use. NLGI #1-1/2, drop point 325°F.

**11309** 16 oz. (1 lb.) can. 12/master

**11310** 14 oz. cartridge. 10/master



## MOTOR ASSEMBLY GREASE

A quality white lithium grease with exceptional consistency. Perfect for all engine rebuilding, metal-to-metal and electrical connection applications. NLGI #1, drop point 350°F.

**11395** 8 oz. tube. 12/master

# OIL

## TC-W3® 2-CYCLE OIL



TC-W3 meets the specified requirements of all foreign and domestic 2-cycle outboard manufacturers. Our ashless TC-W3 is formulated from ultra-clean base stock oil to provide superior protection against piston scuffing, bearing wear, spark plug fouling, pre-ignition and rust. This formulation has outstanding lubricity and miscibility for better mixing of fuel and oil, resulting in a cleaner running engine. Contains no phosphorus. Will not void manufactures' warranties!

### TC-W3® OUTBOARD MOTOR OIL

**11590** 16 oz. bottle. 12/master

**11591** 14 oz. bottle. 10/master

**11592** 1 gallon container. 6/master



### POWER PRO™ SYNTHETIC BLEND 80W/90 GEAR LUBE

A synthetic blend gear lube that protects high performance lower units in extreme operating conditions. Highly recommended for all engines over 100 hp. Meets or exceeds API MT-1 and GL-5 ratings. Will not void manufactures' warranties.

**11564** quart bottle. 12/master

**11565** (not shown) 5 gallon drum



### HIGH VISCOSITY 80W/90 GEAR LUBE

Ideal for modern outboard and stern drive lower units. Meets or exceeds API MT-1 and GL-5 ratings. Will not void manufactures' warranties.

**11540** 10 oz. tube. 12/master

**11546** (not shown) 5 gallon drum

**11552** Quart bottle. 12/master



### HYPOID 90 GEAR LUBE

For mechanical shift outboards and stern drives. Meets U.S. Military Spec MIL-PRF-2105E and API MT-1 and GL-5 ratings. Will not void manufactures' warranties.

**11556** Quart bottle. 12/master



### POWER TRIM AND TILT FLUID

Formulated to provide viscosity and lubricity necessary to ensure proper pump performance and seal life. Combats high operating pressures and resists rust. Anti-foam and extreme pressure additives ensure excellent stability and shear resistance.

**11578** 10 oz. tube. 12/master

## MARINE LOWER UNIT KITS



### MARINE LOWER UNIT LUBE KIT

Includes one quart of High Viscosity Lower Unit Gear Lube (11552), and one Lower Unit Quart Pump (55-005), with 3/8"-16 Filler Fitting for Mercury, Mercruiser, OMC, Evinrude, Johnson, Volvo, Force, Gamefisher and Honda (70 hp and up) outboard engines.

**11246** Clamshell. 6/master



### MARINE LOWER UNIT FILL KIT

Kits includes two 10 oz. tubes of High Viscosity Lower Unit Gear Lube (11540) and one filler tube for Mercruiser, OMC, Evinrude, Johnson, Volvo, Force and Gamefisher models.

**11101** Clamshell. 6/master

## LAWN & GARDEN OIL



### POWER LAWN MOWER 4-CYCLE OIL

Perfect for any 4-cycle air cooled engine such as those in lawn mowers, tillers, garden tractors and snow throwers. SAE30.

**11531** 20 oz. bottle. 12/master



### CHAIN SAW BAR AND CHAIN OIL

Formulated to extend chain, bar and sprocket life. Protects against rust and corrosion with minimum "throw off" at high chain speeds. Resists thinning and freezing caused by temperate extremes.

**11532** Quart bottle. 12/master

## 2-CYCLE OIL



### EZ 2-CYCLE OIL

No guessing with this handy oil. One bottle treats one gallon of gas, works in any ratio from 16:1 to 50:1.

**11524** 3.2 oz bottle. 48/master



### 2-CYCLE ENGINE OIL

Formulated to improve performance, extend engine life and reduce plug fouling. Provides excellent wear protection and high temperature performance. Recommended for chain saws, trimmers, motorcycles, snow blowers, mowers and other air cooled 2-cycle engines.

**11525** 8 oz. bottle. 24/master

**11527** Quart bottle. 12/master



### TC-W3® 2-CYCLE SNOWMOBILE OIL

Formulated for use in snowmobiles and other 2 cycle oil injection cold weather equipment requiring ashless TC-W3 oil. Excellent performance down to -40°.

**11462** Quart bottle. 12/master

## GEAR LUBE



### SAE 80W/90EP

Premium blend contains extreme pressure additives to provide heavy-duty protection. Recommended for automotive, tractor, truck and industrial applications such as manual transmissions, differentials or other gear boxes which require heavy-duty multi-purpose lubricant. Meets API MT-1, GL-5, MIL-PRF-2105E, SAEJ2360 and Mack GO-G/H/J specifications.

**11500** Quart bottle. 12/master

**11507** Gallon container. 6/master



### SAE 85W/140 EP

Formulated with EP additives to exceed most extreme performance requirements. Withstands severe shock, high torque loads and wide temperature variations. Meets API MT-1, GL-5, MIL-PRF-2105E, SAEJ2360 and Mack GO-G/H/J specifications.

**11505** Quart bottle. 12/master

## SPECIALTY OILS



### FOGGING OIL

Protects internal components of 2 and 4-cycle engines from rust, corrosion or seizing during seasonal storage.

**11412** 9.75 aerosol can. 12/master

# REFERENCE GUIDES

## QUICK REFERENCE GREASE CHART

This chart indicates general specifications and application of petroleum-based greases available from LubriMatic®. Please contact our customer service department or representative for further details.

LUBRIMATIC® GREASE	GRADE	DROP POINT	WATER WASHOUT	4 BALL WELD (KGF)	4 BALL SCAR (MM)	TIMKEN OK LOAD	BASE (SOAP/THICKENER)	TEXTURE	COLOR
DISC/DRUM WHEEL BEARING GREASE	2	520°F	EXCELLENT	500	<0.6	50	POLYUREA	SMOOTH	BLUE
DIELECTRIC GREASE	2	NONE	OUTSTANDING	N/A	N/A	N/A	SYNTHETIC	BUTTERY	AMBER
LMX® THE "RED" GREASE	2	500°F	EXCELLENT	315	0.6	45	LITHIUM COMPLEX	TACKY	RED
CORROSION CONTROL MARINE GREASE	2	550°F	OUTSTANDING	620	0.45	65	CALCIUM SULFONATE	SMOOTH	GREEN
MOLY EP GREASE	2	500°F	EXCELLENT	350	0.4	45	LITHIUM COMPLEX	SMOOTH	GRAY
MOTOR ASSEMBLY WHITE GREASE	1	350°F	GOOD	250	0.6	N/A	LITHIUM 12-HYD. STEARATE	SMOOTH	OFF WHITE
MULTI-PURPOSE LITHIUM GREASE	2	350°F	VERY GOOD	N/A	<0.6	30	LITHIUM 12-HYD. STEARATE	SMOOTH	GRAY-BLACK
SYNTHETIC BRAKE CALIPER GREASE	2	500°F	EXCELLENT	315	0.55	40	LITHIUM COMPLEX	SMOOTH	BLUE
WHITE LITHIUM GREASE	2	350°F	VERY GOOD	250	0.6	35	LITHIUM 12-HYD. STEARATE	SMOOTH	OFF WHITE

## GREASE COMPATIBILITY CHART

### RELATIVE COMPATIBILITY RATING

- C** = COMPATIBLE
- N** = NOT RECOMMENDED
- I** = INCOMPATIBLE

It is important to determine compatibility prior to mixing greases of different base types. Incompatible greases can cause adverse chemical reactions, resulting in rust, pitting, scoring of metal, and breakdown of the grease's ability to lubricate.

THICKENER OR SOAP TYPE	ALUMINUM COMPLEX	BARIUM COMPLEX	CALCIUM STEARATE	CALCIUM 12-HYDROXY	CALCIUM COMPLEX	CALCIUM SULFONATE COMPLEX	CLAY (NON-SOAP)	LITHIUM STEARATE	LITHIUM 12-HYDROXY	LITHIUM COMPLEX	POLYUREA (CONVEN. 1ST GEN.)	LUBRIMATIC® TYPE.)
ALUMINUM COMPLEX	N	I	I	C	I	N	I	I	I	C	I	I
BARIUM COMPLEX	I	-	I	C	I	C	I	I	I	I	I	N
CALCIUM STEARATE	I	I	-	C	I	C	C	C	N	C	I	C
CALCIUM 12-HYDROXY	C	C	C	-	N	N	C	C	C	C	I	C
CALCIUM COMPLEX	I	I	I	N	-	I	I	I	I	C	C	C
CALCIUM SULFONATE COMPLEX	N	C	C	N	I	-	I	N	N	C	I	C
CLAY (NON-SOAP)	I	I	C	C	I	I	-	I	I	I	I	N
LITHIUM STEARATE	I	I	C	C	I	N	I	-	C	C	I	C
LITHIUM 12-HYDROXY	I	I	N	C	I	N	I	C	-	C	I	C
LITHIUM COMPLEX	C	I	C	C	C	C	I	C	C	-	I	C
POLYUREA (CONVEN. 1ST GEN.)	I	I	I	I	C	I	I	I	I	I	-	C
POLYUREA (LUBRIMATIC® TYPE)	C	N	C	C	C	C	N	C	C	C	C	-

Part#	Description	Page
05-019	1.5" Needle Nose Adapter	21
05-021	Push Type Adapter	20
05-025	4" Needle Nose Adapter	21
05-026	Quick Connect Locking Coupler	19
05-028	Standard Coupler Bulk - 10	16
05-030	Standard Coupler Bulk - 100	16
05-031	Standard Grease Gun Coupler	16
05-031-2	Standard Coupler 2 Pack	16
05-031-6	Standard Coupler 6 Pack	16
05-034	Heavy Duty Coupler Bulk	16
05-035	Heavy Duty Grease Coupler	16
05-036	Extreme Duty Grease Coupler	16
05-037	Needle Grease Injector	20
05-038	Extreme Duty Coupler Bulk	16
05-039	Air Bleeder Valve	21
05-041	Seal-Off Dispenser	20
05-042	Needle Tip Adapter	20
05-045	.75" Needle Nose Dispenser	20
05-047	Bulk Loader Fitting	21
05-048	Button Head Coupler - 5/8"	17
05-049	Button Head Coupler - 7/8"	17
05-050	180 Degree Swivel Coupler	17
05-052	Heavy Duty 360 Degree Swivel Coupler	17
05-057	360 Degree Swivel Coupler	17
05-058	Right Angle Coupler	17
05-059	90 Degree Coupler Adapter	16
05-060	7-Piece Grease Gun Accessory Kit	18
05-061	5-3/8" Curved Grease Pipe	15
05-065	27-Piece Grease Gun Accessory Kit	18
10-200	Standard 12 in Grease Hose	15
10-201	Standard 18 in Grease Hose	15
10-212	Heavy Duty 12" Grease Hose	15
10-214	Heavy Duty 12" Hose Bulk	15
10-218	Heavy Duty 18" Grease Hose	15
10-219	Heavy Duty 18" Hose Bulk	15
10-512	High Pressure 12" Grease Hose	15
10-514	High Pressure 18" Grease Hose	15
10-536	High Pressure 36" Grease Hose	15
11-100	Grease Fitting - 1/4"-28 - Short, Straight	25
11-101	Grease Fitting - 1/4"-28 - Short, Straight	25
11-103	Grease Fitting - 1/4"-28 - Short, Straight	25
11-104	Grease Fitting - 1/4"-28 - 45 Degree	25
11-105	Grease Fitting - 1/4"-28 - 45 Degree	25
11-112	Grease Fitting - 1/4"-28 - 90 Degree	25
11-113	Grease Fitting - 1/4"-28 - 90 Degree	25
11-150	Grease Fitting - 1/8" Npt - Short, Straight	25
11-151	Grease Fitting - 1/8" NPT - Short, Straight	25
11-159	Grease Fitting - 1/8" NPT - 45 Degree	25
11-166	Grease Fitting - 1/8" NPT - 90 Degree	25
11-167	Grease Fitting - 1/8" NPT - 90 Degree	25
11-201	Grease Fitting - 1/4" NPT - Straight	25
11-218	Grease Fitting - 1/8" NPT - 45 Degree	25
11-226	Grease Fitting - 6 mm x 1 - Straight	25
11-301	Grease Fitting - 6 mm x 1 - Straight	25
11-305	Grease Fitting - 6 mm x 1 - 90 Degree	25
11-311	Grease Fitting - 8 mm x 1 - Straight	25
11-313	Grease Fitting - 8 mm x 1 - 45 Degree	25
11-315F	Grease Fitting - 8 mm x 1 - 90 Degree	25
11-321	Grease Fitting - 10 mm x 1 - Straight	25
11-432	Grease Fitting - 1/4"-28 Straight Drive	25
11-438	Grease Fitting - 3/16" Straight Drive	25
11-447	Grease Fitting - 1/4" Straight Drive	25
11-448	Grease Fitting - 1/4" Straight Drive	25
11-453	Grease Fitting - 5/16" Straight Drive	25
11-902	4-Way 1/8" NPT Grease Fitting Tool - Bulk	22
11-903	4-Way 1/4"-28 Grease Fitting Tool	22
11-904	4-Way 1/8" Npt Grease Fitting Tool	22
11-912	Drive Fitting Drive-In Tool	22
11-917	Grease Joint Rejuvenator Tool	22
11-951	Fitting Assortment - 1/4"-28 - 50-Piece	24
11-953	Fitting Assortment - Standard - 100-Piece	24
11-954	Fitting Assortment - 1/8" NPT - 50-Piece	24
11-955	Fitting Assortment - 1/4"-28 - 8-Piece	23
11-956	Fitting Assortment - Metric - 100-Piece	24
11-957	Fitting Assortment - 6 mm x 1 - 8-Piece	23
11-962	Fitting Assortment - Standard - 25-Piece	23

Part#	Description	Page
11-963	Fitting Assortment - Metric - 25-Piece	23
30-100	Standard Mini Grease Gun	8
30-108	Portable Transfer Pump w/Hose	28
30-111-07	Heavy Duty 6 In Grease Hose - Bulk	14
30-114	Air Operated Grease Gun	7
30-118	Suction Gun W/Hose	14
30-132	Economy Mini Grease Gun Kit	8
30-132-07	Economy Mini Grease Gun - Bulk	8
30-190	Mini Grease Gun Kit - Marine	8
30-192	Mini Grease Gun Kit - Multi-Purpose	8
30-193	Standard Mini Grease Gun - Bulk	8
30-195	Jiffy Luber w/ Push Type Adapter	14
30-197	Handi-Grip Pistol Luber®	14
30-197-07	Handi-Grip Pistol Luber® - Bulk	14
30-200	Economy Lever Grease Gun	4
30-203	Standard Duty Lever Grease Gun	4
30-300	Standard Pistol Grip Grease Gun	6
30-303	Standard Pistol Grip Grease Gun	6
30-310	Standard Pistol Grip Grease Gun w/Hose	6
30-416	Professional Pistol Grip Grease Gun	6
30-449	Economy Lever Grease Gun - Bulk	4
30-465	Industrial Lever Grease Gun - Zinc Barrel	5
30-475	Industrial Lever Grease Gun	5
30-480	Ultimate® Grease Gun	5
30-601	12V Battery Operated Grease Gun	7
30-602	Replacement 12V Battery	7
30-603	Replacement 12V Battery Charger	7
30-613	Replacement Barrel/Plunger - 12V	7
30-700	UltraView® Lever Action Grease Gun - Red	13
30-701	UltraView® Lever Action Grease Gun - Green	13
30-720	UltraView® Pistol Grip Grease Gun - Red	13
30-721	UltraView® Pistol Grip Grease Gun - Green	13
30-730	UltraView® 18V Battery Operated Grease Gun	13
30-740	UltraView® Suction Grease Gun - Red	13
30-741	UltraView® Suction Grease Gun - Green	13
30-750	UltraView® Grease Gun Tube - Red	13
30-751	UltraView® Grease Gun Tube - Green	13
30-753	UltraView® Grease Gun Tube - Black	13
30-754	UltraView® Grease Gun Tube - Blue	13
30-760	UltraView® 1/4"-28 LLPID Washer - Red	13
30-761	UltraView® 1/4"-28 LLPID Washer - Green	13
30-763	UltraView® 1/4"-28 LLPID Washer - Black	13
30-764	UltraView® 1/4"-28 LLPID Washer - Blue	13
30-770	UltraView® 1/8" NPT LLPID Washer - Red	13
30-771	UltraView® 1/8" NPT LLPID Washer - Green	13
30-773	UltraView® 1/8" NPT LLPID Washer - Black	13
30-774	UltraView® 1/8" NPT LLPID Washer - Blue	13
30-800	Heavy Duty Mini Grease Gun	9
30-802	Professional Lever Grease Gun	4
30-804	Dual Piston Lever Grease Gun	5
30-806	Snaplock® Lever Grease Gun	11
30-807	Snaplock® Pistol Grip Grease Gun	11
30-955	Adhesive Gun - 1 Pint	33
30-956	4 In Spout Replacement For 30-955	33
30-960	Adhesive Gun with Long Adapter	33
30-962	Adhesive Gun with Adapter	33
50-337	Handled Oiler - 1 Pint - Flex Spout	33
50-347	Handled Oiler - 1 qt. - Flex Spout	33
50-509CC	Pistol Oiler - 6 oz. - Cut Case Display Box	32
50-515	Pistol Oiler - 6 oz. - Rigid Spout	32
50-516	Pistol Oiler - 6 oz. - Flex Spout	32
50-573	Pistol Oiler - 1 Pint - Flex Spout	32
50-583	Pistol Oiler - 1 qt. - Rigid Spout	32
50-590	Plastic Pistol Oiler - 6 oz. - Rigid Spout	33
50-592	Plastic Pistol Oiler - 6 oz. - Flex Spout	33
50-595	Pistol Oiler - 8 oz. - Flex Spout	32
55-001	4 cc Bottle Pump	26
55-005	4 cc Bottle Pump w/ Metal Marine Adapter	26
55-007	4 cc Bottle Pump w/Plastic Marine Adapter	26
55-012	Bottle Pump - Fitting Only	26
55-011	Marine Lower Unit Pail Pump	27
55-017	Steel Barrel Pump	28
55-019	Nylon Barrel Pump	28
55-107	Bearing Packer Grease Pump	27
55-117	Grease Gun Filler Pump	27
55-123	Heavy Duty Barrel Pump	29

Part#	Description	Page
55-124	Professional Barrel Pump	29
55-125	Professional Barrel Pump w/Swivel Handle	29
55-141	5 Gallon Pail Pump	28
55-155	Rotary Def Pump	29
55-156	Lever Def Pump	29
55-303	Rotary Barrel Pump	28
55-440	5 Gallon Lever Action Pail Pump	27
55-441	16 Gallon Lever Action Pail Pump	27
60-200	Easy-Pour Flexible Bottle Spout	41
70-025	Bearing Packer	20
70-026	Plastic Bearing Packer	20
70-535	Small Handled Filter Wrench	34
70-536	Medium Handled Filter Wrench	34
70-537	Medium Swivel Handled Filter Wrench	35
70-538	Small Swivel Handled Filter Wrench	35
70-539	Compact Swivel Handled Filter Wrench	35
70-605	Medium Pro-Tuff® Handled Filter Wrench	34
70-607	Large Pro-Tuff® Handled Filter Wrench	34
70-609	Truck Pro-Tuff® Handled Filter Wrench	34
70-611	Tractor Pro-Tuff® Handled Filter Wrench	34
70-621	Compact Pro-Tuff® Swivel Handle Wrench	35
70-623	Small Pro-Tuff® Swivel Handle Wrench	35
70-625	Medium Pro-Tuff® Swivel Handle Wrench	35
70-627	Large Pro-Tuff® Swivel Handle Wrench	35
70-635	Pro-Tuff® 3/8" Ratchet Drive Filter Wrench	36
70-715	Small Bi-Directional Filter Wrench	37
70-717	Large Bi-Directional Filter Wrench	37
70-719	Strap Type Filter Wrench	37
70-720	2-Piece Strap Type Filter Wrench	37
70-746	Pliers Type Filter Wrench	37
70-748	Locking Pliers Type Filter Wrench	37
70-761	Small Pro-Tuff® 1/2" Ratchet Drive Wrench	36
70-763	Medium Pro-Tuff® 1/2" Ratchet Drive Wrench	36
70-765	Large Pro-Tuff® 1/2" Ratchet Drive Wrench	36
70-786	93 mm Steel Cap Filter Wrench	36
70-787	74-76 mm Steel Cap Filter Wrench	36
70-790	65-68 mm Steel Cap Filter Wrench	36
70-792	73 mm Steel Cap Filter Wrench	36
70-805	Adjustable Handled Filter Wrench	34
70-901	Grease Gun Holder	19
70-902	Grease Gun Holder - Bulk	19
70-904	Grease Gun Bracket	19
75-001	1 qt. Galvanized Steel Funnel	38
75-002	5 qt. Offset Galvanized Steel Funnel	38
75-003	2 qt. Galvanized Steel Funnel	38
75-004	8 qt. Tractor Galvanized Steel Funnel	38
75-005	Rigid Spout Transmission Filler	39
75-006	Transmission Filler W/Flex Extension	39
75-007	1 qt. Steel Utility Funnel w/Flex Extension	39
75-008	8 qt. Lock-On Tractor Steel Funnel	38
75-009	10 oz. Steel Utility Funnel	39
75-010	24 oz. Steel Utility Funnel	39
75-011	32 oz. Steel Utility Funnel	39
75-012	56 oz. Steel Utility Funnel	39
75-017	7 Pint Galvanized Steel Funnel	38
75-025	Radiator Filler	43
75-030	Automatic Battery Filler	43
75-033	Battery Filler	43
75-060	8 oz. Economy Plastic Funnel	40
75-062	16 oz. Economy Plastic Funnel	40
75-064	48 oz. Economy Plastic Funnel	40
75-068	Long Neck Plastic Funnel	40
75-069	1 Pint Plastic Funnel w/Screen	41
75-070	2 qt. Plastic Funnel w/Screen	41
75-072	6 qt. Plastic Funnel w/Screen	41
75-074	2-Piece Funnel w/Flexible Spout	41
75-075	3-Piece Assorted Plastic Funnels	41
75-101	8 oz. Utility Plastic Funnel w/Hose	39
75-441	1 qt. Galvanized Measure	42
75-442	2 qt. Galvanized Measure	42
75-444	4 qt. Galvanized Measure	42
75-452	2 qt. Plastic Measure	42
75-454	4 qt. Plastic Measure	42
75-456	6 qt. Plastic Measure	42
75-662	2 qt. Painted Measure	43
75-664	4 qt. Painted Measure	43

Part#	Description	Page
75-665	5 qt. Painted Measure	43
75-668	8 qt. Painted Measure	43
75-750	Radiator Drain Pan	44
75-751	Utility Galvanized Steel Drain Pan	44
75-754	Tire And Tube Test Tank	44
75-755	Galvanized Steel Drain Pan	44
75-760	6 qt. Plastic Drain Pan	45
75-762	4 Gallon Plastic Drain Pan w/Spout	45
75-764	15 qt. Plastic Drain Pan w/Lid	45
75-825	12 qt. Galvanized Steel Water Pail	44
75-835	16 Gallon Lift Drain	46
75-836	Plastic Transmission Pan Adapter	47
75-837	5 Gallon Lift Drain	47
75-837-02	Replacement Tube and Funnel for 75-837	47
75-838	Lift Drain Dolly	47
75-846	Multi-Use Transfer Pump	28
75-847	Siphon Hose	26
75-850	8 Gallon Lift Drain	46
75-853	Replacement Tube and Funnel Assembly	46
99-038	Spout Tip for Automatic Battery Filler	43
99-619	Brush Tip for Adhesive Guns	33
11101	Marine Lower Unit Fill Kit	53
11246	Marine Lower Unit Lube Kit	53
11309	Plews® Multi Purpose Grease 1 lb. Can	51
11310	Plews® Multi Purpose Grease 14 oz. Cartridge	51
11312	Multi-Purpose Grease 3 oz. - 3 Pack	48
11315	Multi-Purpose Grease 14 oz. Cartridge	48
11316	Multi-Purpose Grease 16 oz. Can	48
11328	Multi-Purpose Grease 35 lb. Drum	48
11335	Moly EP Multi-Purpose Grease 14 oz.	50
11350	White Lithium Grease 16 oz. Can	49
11354	White Lithium Grease 14 oz. Cartridge	49
11355	White Lithium Grease 35 lb. Drum	49
11356	White Lithium Grease 120 lb. Drum	49
11357	White Lithium Grease 3 oz. - 4 Pack	49
11363	White Lithium Grease 12 oz. Aerosol Can	49
11380	High Temp Wheel Bearing Grease 16 oz. Can	48
11382	High Temp Wheel Bearing Grease 4 lb. Tub	48
11390	LMX® "Red" Grease 14 oz. Cartridge	49
11391	LMX® "Red" Grease 35 lb. Drum	49
11395	Motor Assembly Grease 8 oz. Tube	51
11399	Corrosion Control® Marine Grease 3 oz. - 2 Pack	50
11400	Corrosion Control® Marine Grease 3 oz. - 4 Pack	50
11402	Corrosion Control® Marine Grease 14 oz. Cartridge	50
11404	Corrosion Control® Marine Grease 16 oz. Can	50
11406	Corrosion Control® Marine Grease 8 oz. Tube	50
11407	Corrosion Control® Marine Grease 35 lb. Drum	50
11408	Corrosion Control® Marine Grease 120 lb. Drum	50
11409	Corrosion Control® Marine Grease 400 lb. Drum	50
11412	Fogging Oil 9.75 oz. Aerosol Can	55
11462	TC-W3® 2-Cycle Snowmobile Oil	54
11465	Disc/Drum Bearing Grease 14 oz. Cartridge	48
11473	Open Gear & Wire Rope Spray Lube 11.25 oz. Aerosol	51
11474	Chain & Cable Lubricant 12 oz. Aerosol Can	51
11500	SAE 80W/90EP Gear Lube 1 qt. Bottle	55
11505	SAE 85W/140EP Gear Lube 1 qt. Bottle	55
11507	SAE 80W/90EP Gear Lube 1 Gallon Container	55
11524	EZ-2 Cycle Oil 3.2 oz. Bottle	54
11525	2-Cycle Engine Oil 8 oz. Bottle	54
11527	2-Cycle Engine Oil 1 qt. Bottle	54
11531	Power Lawn Mower 4-Cycle Oil 20 oz. Bottle	54
11532	Chain Saw Bar And Chain Oil 1 qt. Bottle	54
11540	High Viscosity 80W/90 Gear Lube 10 oz. Tube	53
11546	High Viscosity 80W/90 Gear Lube 5 Gallon Bucket	53
11552	High Viscosity 80W/90 Gear Lube 1 qt. Bottle	53
11556	Hypoid 90 Gear Lube 1 qt. Bottle	53
11564	Power Pro™ Synthetic Gear Lube 1 qt. Bottle	52
11565	Power Pro™ Synthetic Gear Lube 5 Gallon Drum	52
11578	Power Trim And Tilt Fluid 10 oz. Tube	53
11590	TC-W3® 2-Cycle Outboard Motor Oil 16 oz. Bottle	52
11591	TC-W3® 2-Cycle Outboard Motor Oil 1 qt. Bottle	52
11592	TC-W3® 2-Cycle Outboard Motor Oil 1 Gallon Bottle	52
11752	Synthetic Brake Grease 16 oz. Can	49
11755	Dielectric Grease 2 oz. Tube	41



# PLEWS & EDELMANN

AMERICAN INNOVATION SINCE 1909<sup>®</sup>

***Amflö***<sup>®</sup>

**AMFLO**  
PNEUMATIC HOSES & REELS  
AIR LINE ACCESSORIES

**EDELMANN**<sup>®</sup>

**EDELMANN**  
AUTOMATIVE FITTINGS  
BRAKE LINES  
POWER STEERING HOSE & REPAIR KITS

***Lübrimatic***<sup>®</sup>

**LUBRIMATIC**  
GREASES, OILS & SPRAY LUBRICANTS  
LUBRICATION EQUIPMENT

***TRÜ-FLATE***<sup>®</sup>

**TRU-FLATE**  
AIR LINE ACCESSORIES  
INFLATORS  
TIRE REPAIR  
SEALANTS

Plews & Edelmann  
1550 Franklin Grove Road,  
Dixon, IL 61021 USA  
Telephone: 800-770-4639 • Fax: 815-673-7019  
[www.plews-edelmann.com](http://www.plews-edelmann.com)  
©2019 plews & edelmann • Printed in the USA